

**Pošiljatelj:** Kristina Sandalj <kristina.sandalj@ghia.hr>  
**Poslano:** 16. lipnja 2026. 10:51  
**Prima:** nabava@metkovic.hr  
**Predmet:** RE: Zahtjev za dostavom dokumenata  
**Privici:** GUIL - TM440, TM300 - Manual de usuario (ES\_EN).pdf

Poštovani,

Evo u privitku!

-Set-up from page 20  
-Maintenance from page 26

Lp,  
Kristina

**From:** nabava@metkovic.hr [mailto:nabava@metkovic.hr]  
**Sent:** Tuesday, June 16, 2026 9:34 AM  
**To:** 'Kristina Sandalj' <kristina.sandalj@ghia.hr>  
**Subject:** Zahtjev za dostavom dokumenata

Poštovani,

U prilogu Vam dostavljamo Zahtjev za dostavom dokaza u postupku nabave JN-39/ 2026 - " Nabava opreme za manifestaciju "Metkovska Cipolijada".

S poštovanjem.

Stručno povjerenstvo za provedbu postupka nabave

REPUBLIKA HRVATSKA  
DUBROVAČKO - NERETVANSKA ŽUPANIJA  
GRAD METKOVIĆ 2148/01

Primljeno: 16 -06- 2026		
Klasifikacijska oznaka 563-01/26-01/09	Org. jed. 01/09	
Šifra predmeta 15-26-13	PRE.	VRH.

## PLATFORM SET-UP

- ❖ Two people are required to transport and lift the platforms.
- ❖ Wear personal protective equipment, specifically for hands and feet, during set-up and transporting the platforms.
- ❖ Avoid excessive effort during handling.



### 1.- Move the platform decks to the set up area.

It is recommended that appropriate transportation trolleys be used to move and store the platforms.

GUIL manufactures many accessories specifically designed to transport and store the decks (such as the CRO-11 in the picture). For more information visit [www.guil.es](http://www.guil.es).

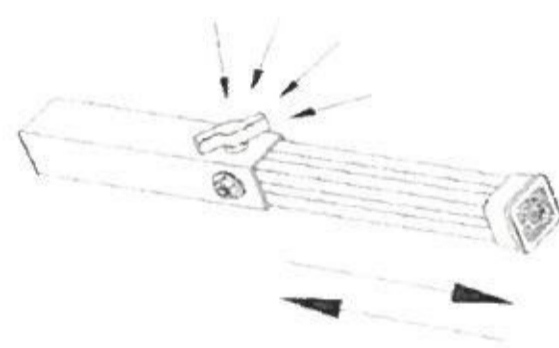


### 2.- Lay the first platform deck upside down on a clean surface.

### 3.- Attaching the legs.

GUIL stage decks are sold with both telescopic and fixed height legs. If you have purchased the fixed height legs please go straight to step 3.2.

3.1.- If using telescopic legs, measure all the legs to the correct length to achieve the desired stage height (leg length is not the same as stage height) by pulling the inner profile of the telescopic leg out until the desired measurement is reached. The leg length is adjusted millimetre by millimetre with a double locking system consisting of a metallic pressure knob and as an added safety measure, legs are locked with a nut and bolt which firmly fixes the legs at the desired height. **IMPORTANT:** Don't tighten the nut and bolt until step 3.5.



#### CAUTION!

Do not use a spanner to tighten the knob.

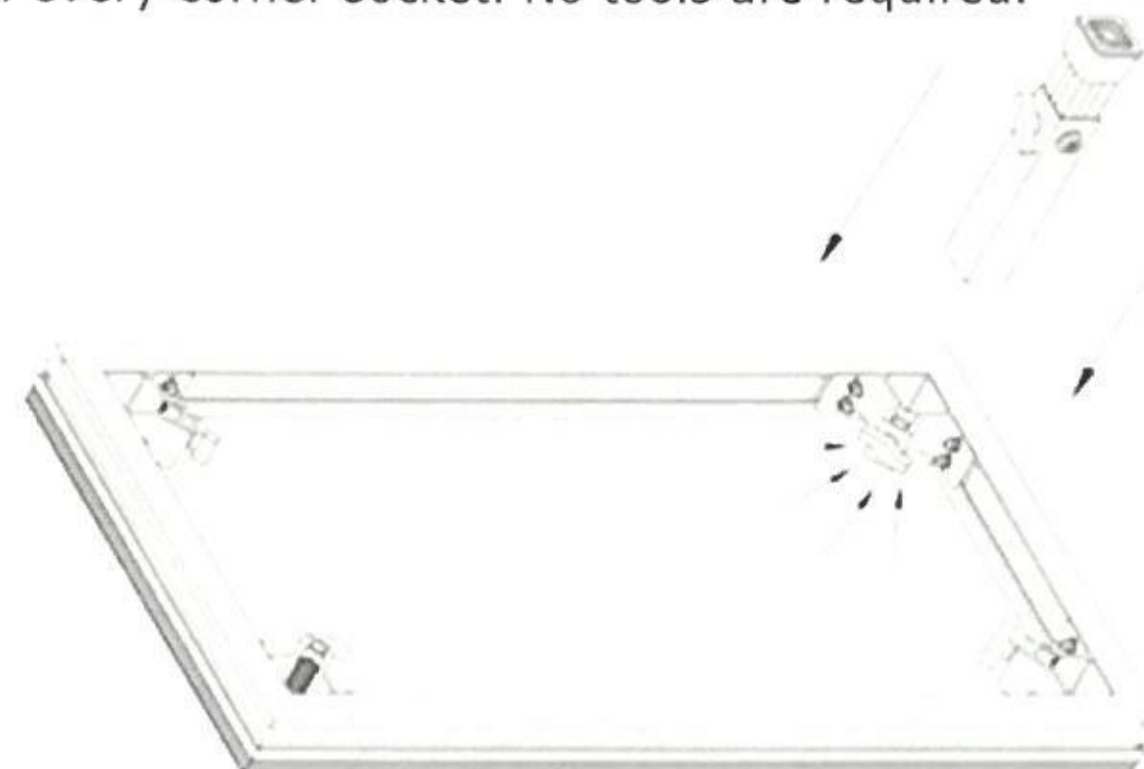


3.2.- Insert the legs all of the way into each of the corner sockets.

3.3.- Secure each leg by hand tightening the knob of every corner socket. No tools are required.

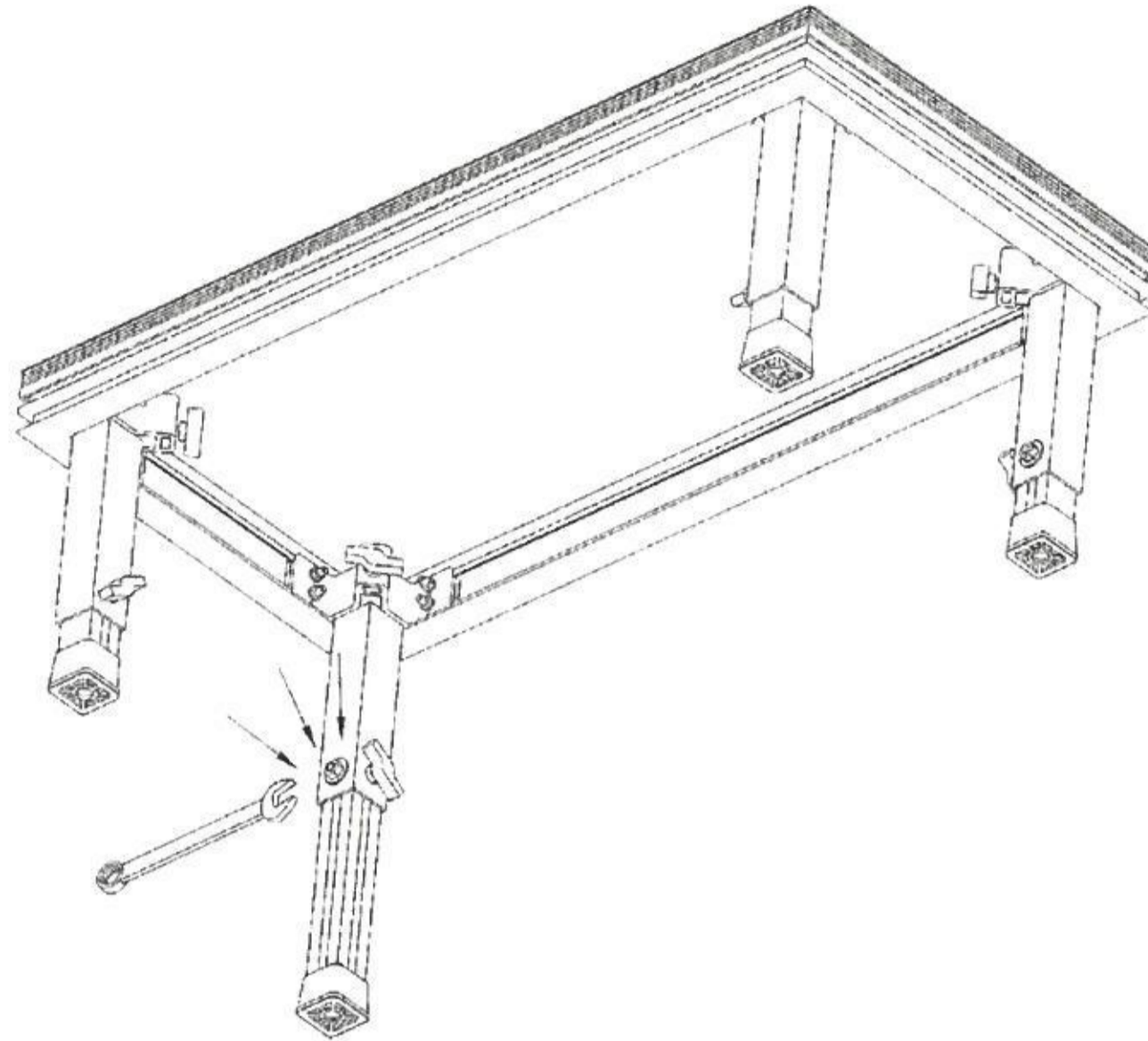


Platforms can be unstable if the legs are not properly attached.



3.4.- Once all four legs are well secured into the corner sockets put the platform in the location you want the stage to be.

3.5.- If there is uneven ground and any of the legs make the platform wobbly then, if using telescopic legs you can easily adjust them by loosening the knob and sliding the inner profile down until the leg touches the ground and the deck is level. Tighten the knob (by hand) and then the nut with a combi spanner. (36 Nm)



3.6.- Repeat steps 2 and 3 with the next platform and when it is completely level next to the first platform follow the steps below to join them together.

#### 4.- Connecting the platforms.

Before connecting the platforms, verify that there is enough space to place the entire stage.



The structure will be unstable unless all adjoining platforms are connected.

The different types of connectors and how to install them are explained in the next section.

### **PLATFORM CONNECTORS**

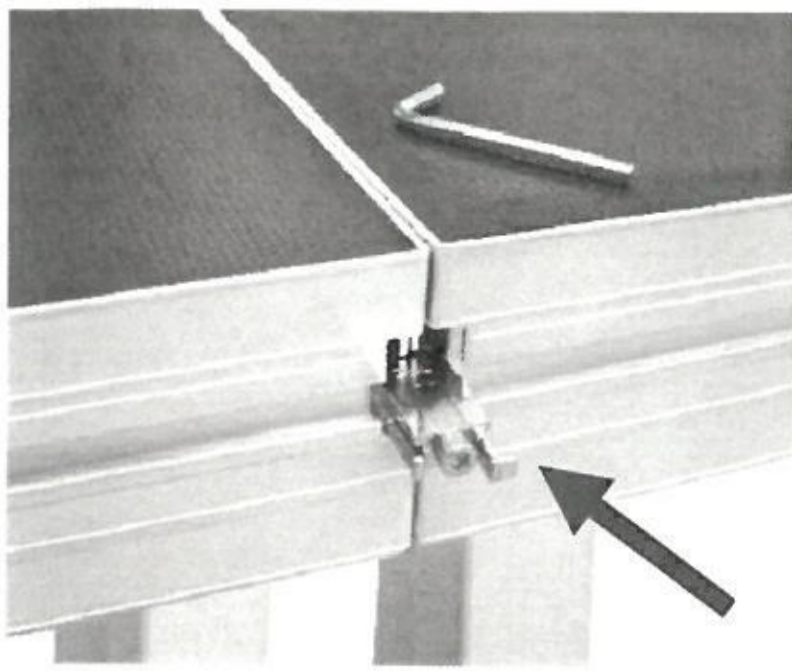
#### Profile connector (ref. **TMU-01**).

This connector is designed to join platforms when placed at the same height. It keeps the stage structure perfectly level and at the same time connects the platforms by their profiles.

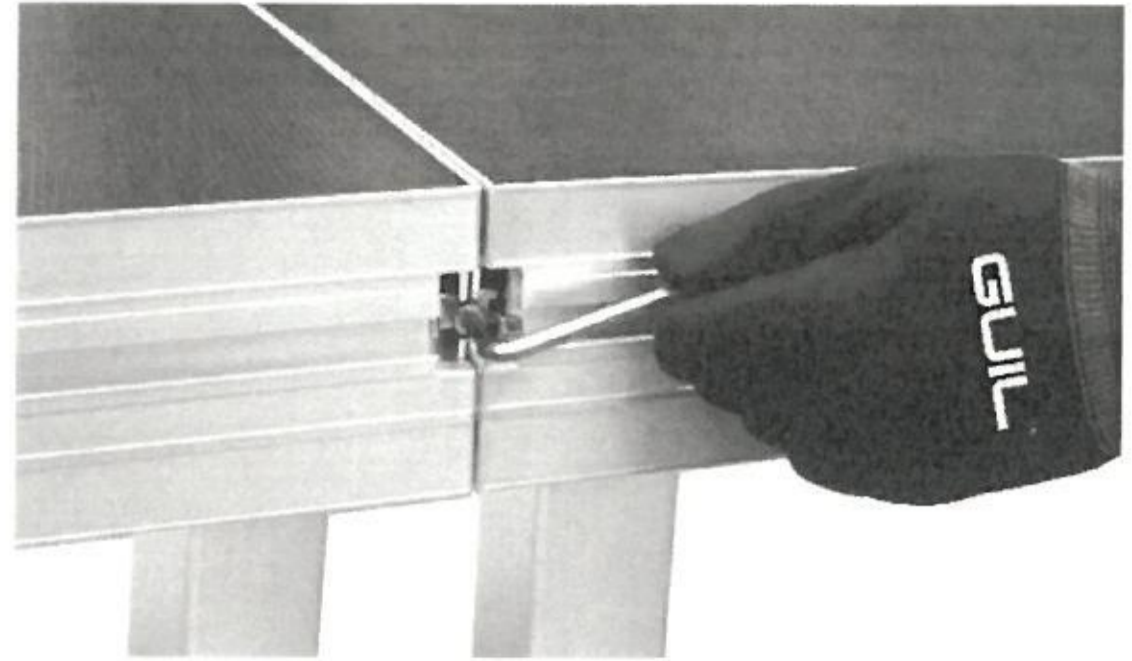


With the platforms one next to the other we can start the joining process by inserting the profile connector ref. **TMU-01**.

Insert the connector smoothly into the slot between the profiles.



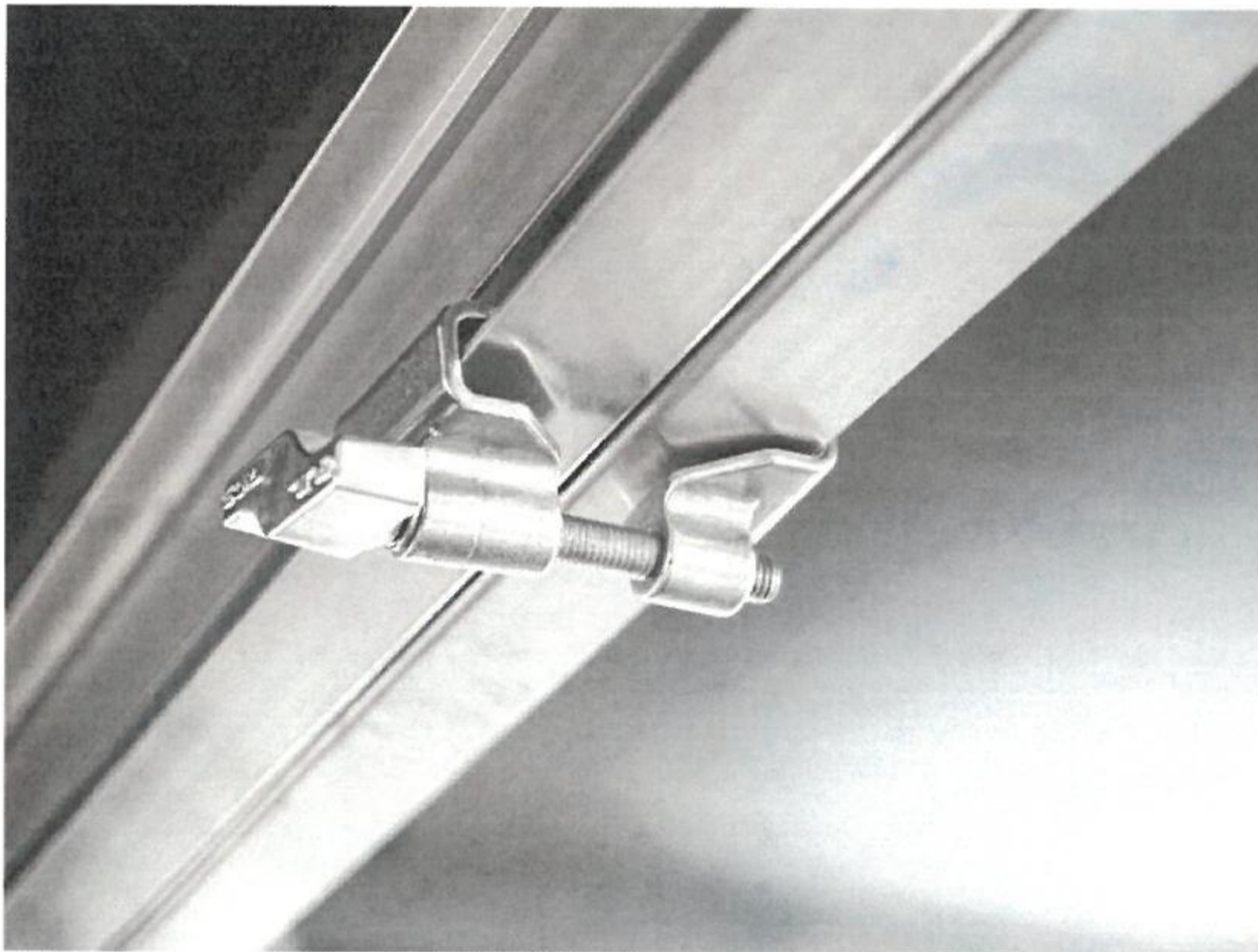
The tab on the connector should be in the position shown in the picture on the left.



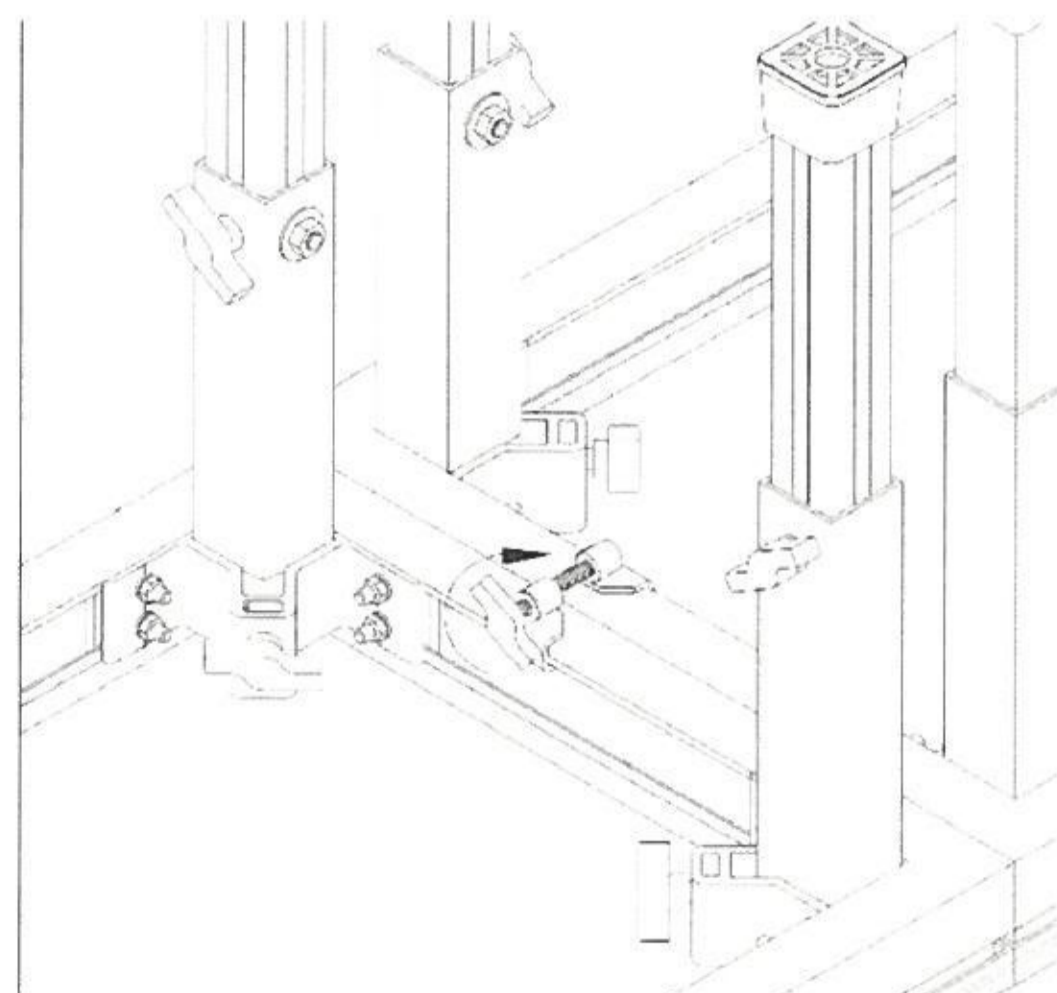
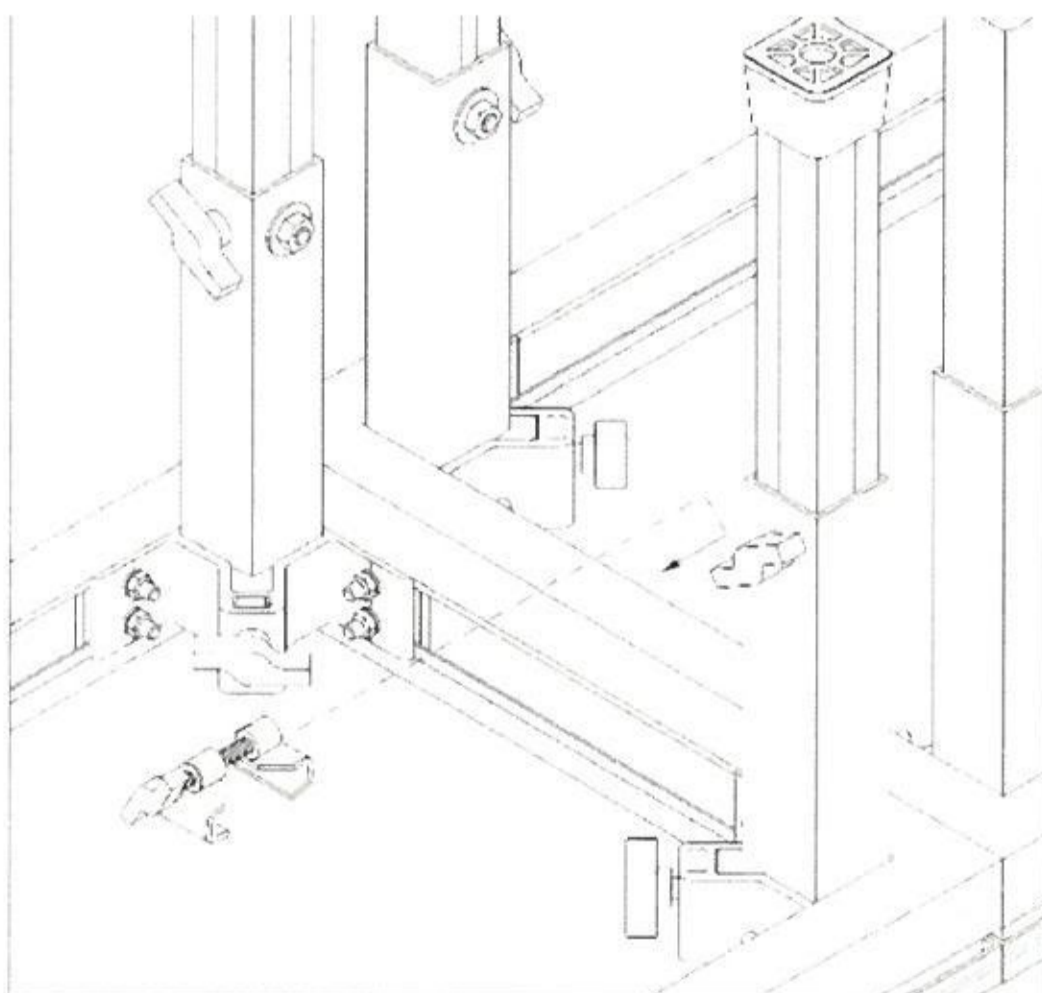
Tighten it with an Allen key (M6).

Frame clamp connector (ref. **TMU-02**).

Once the TMU-01 connector has been installed the decks are secured together using the **TMU-02** connector. These deck clamps connect platforms by the underside of the frames.



Attach the TMU-02 joining system and secure it (by hand) with an Allen key.

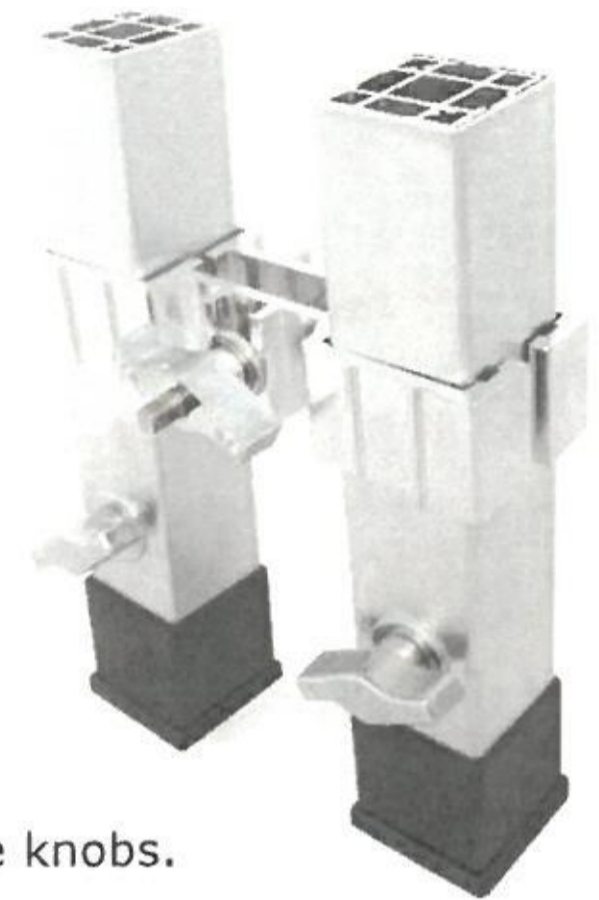
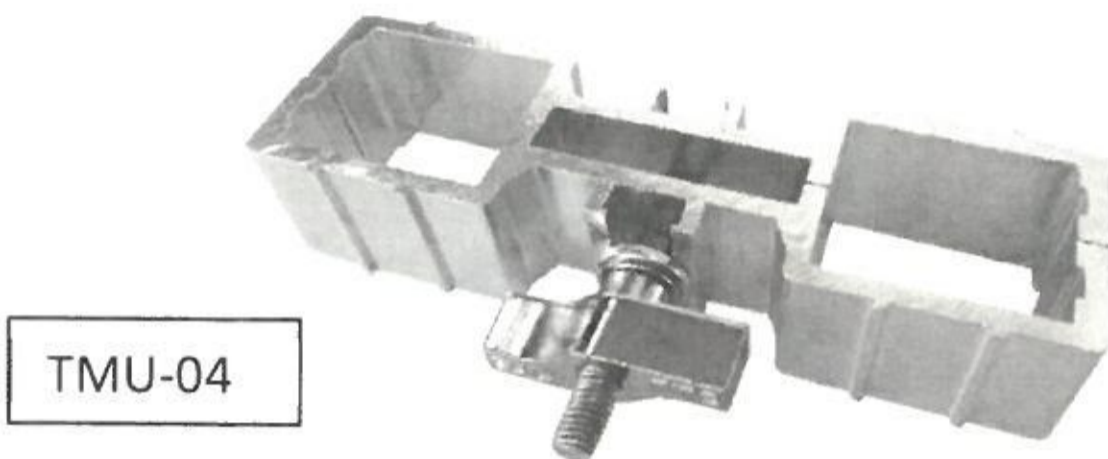


**Leg to leg clamp connector (ref. TMU-04 y TMU-08).**

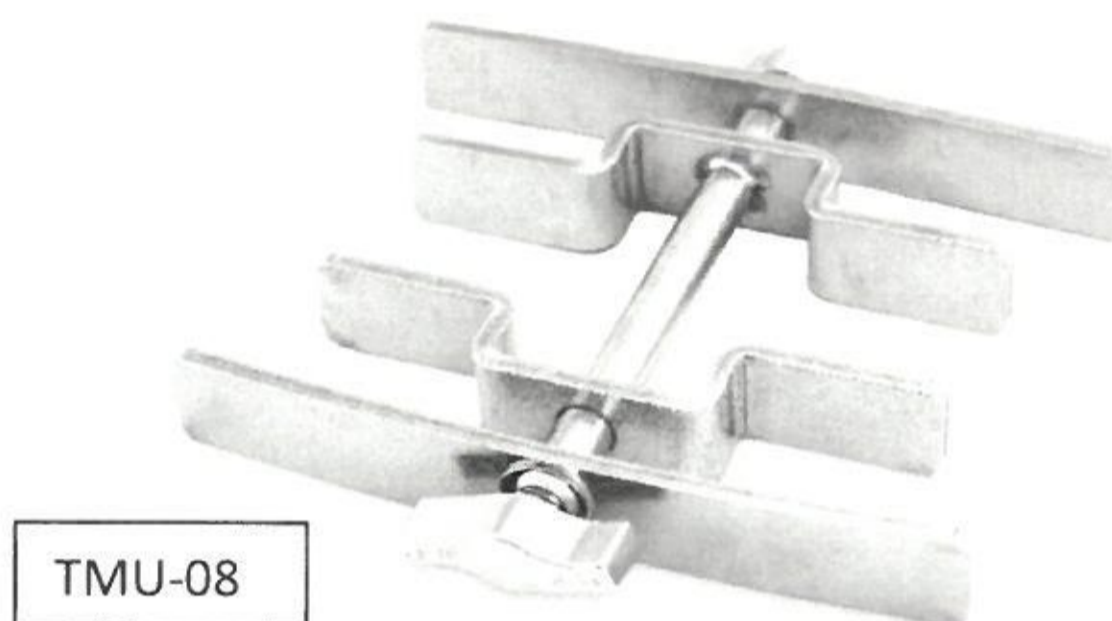
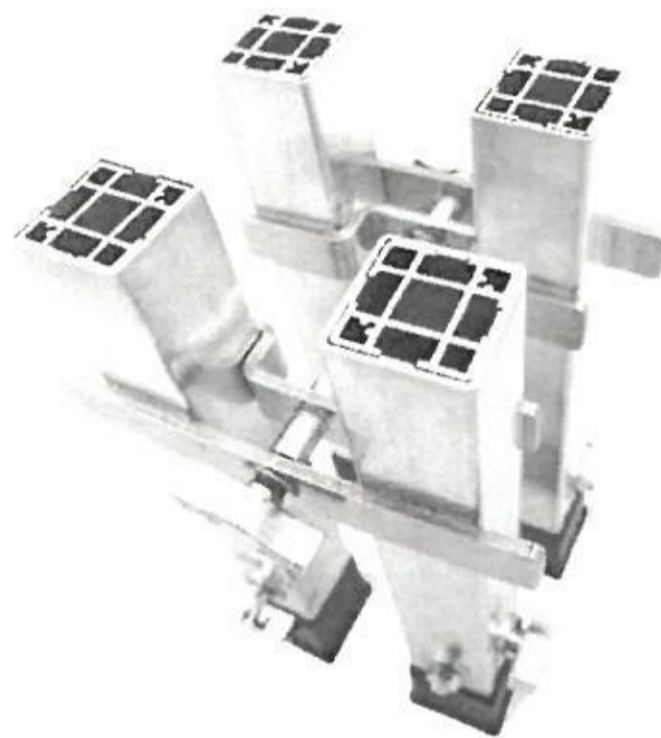
As an additional joining system to reinforce the whole structure, connect the platforms by their legs by means of our leg-to-leg connectors. These clamps are used as a joining system to increase safety and add stability. Two models are available:

- **TMU-04:** Connect platforms by two legs.
- **TMU-08:** Connect platforms by four legs.

In the case of the **TMU-04**, place this connector around both legs and secure it with the pressure knob per the drawings below.



To attach the **TMU-08**, place the connector joining all the four legs and then tighten the knobs.

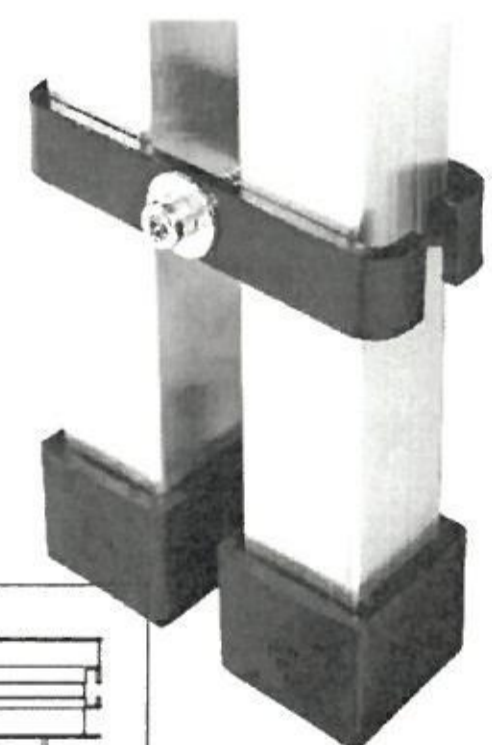
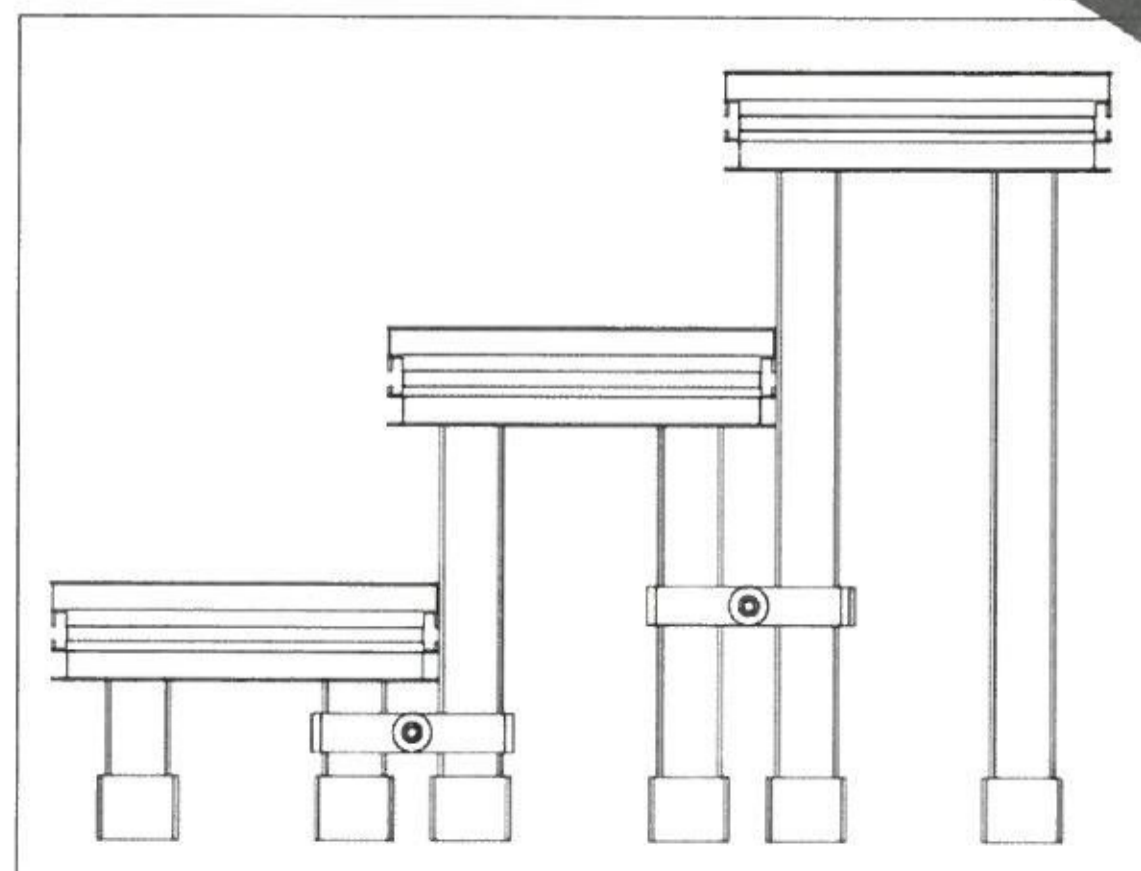
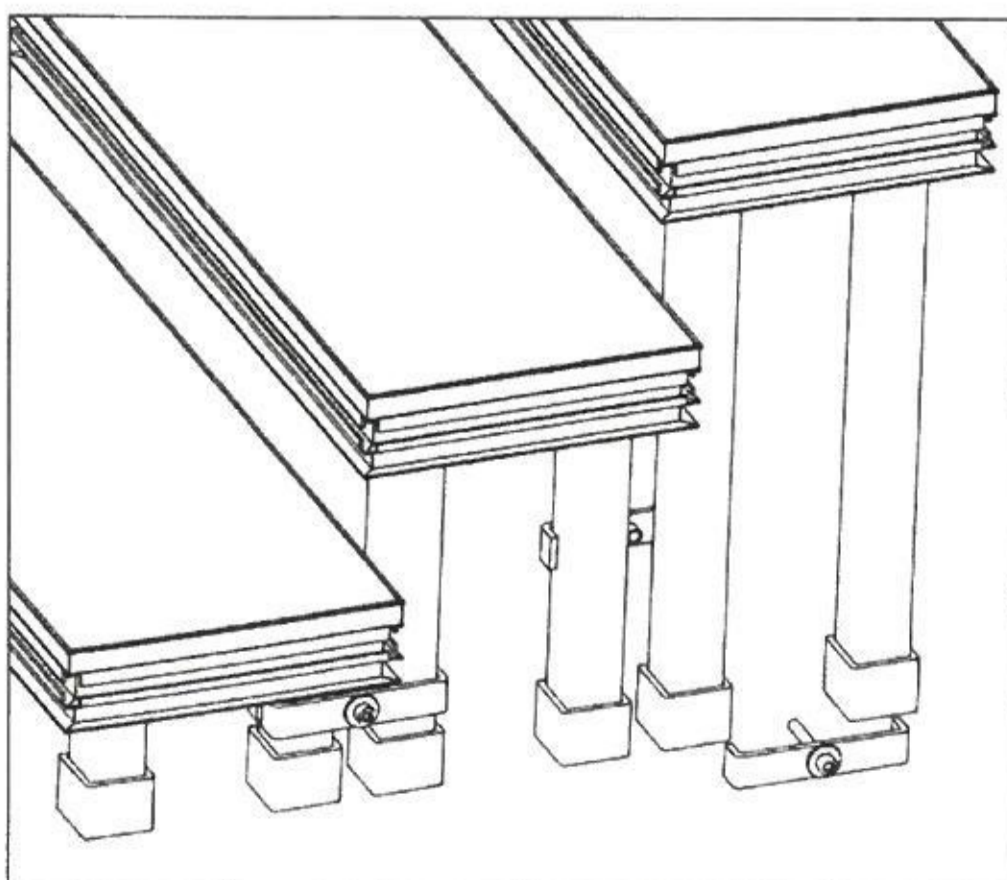


Keep installing TMU-01, TMU-02 and TMU-04/TMU-08 until the stage is complete.

**Leg to leg clamp connector between platforms with different heights (ref. TMU-07).**

When assembling platforms with different heights, such as stairs or choral risers, the legs are joined using **TMU-07** connectors.

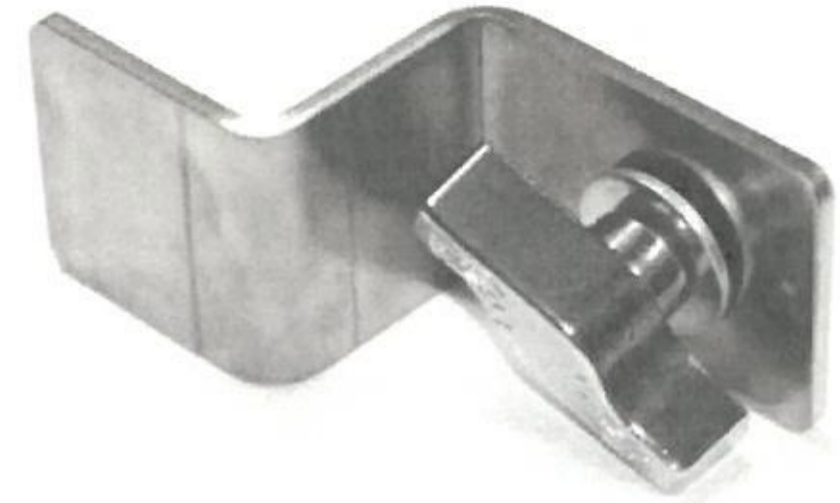
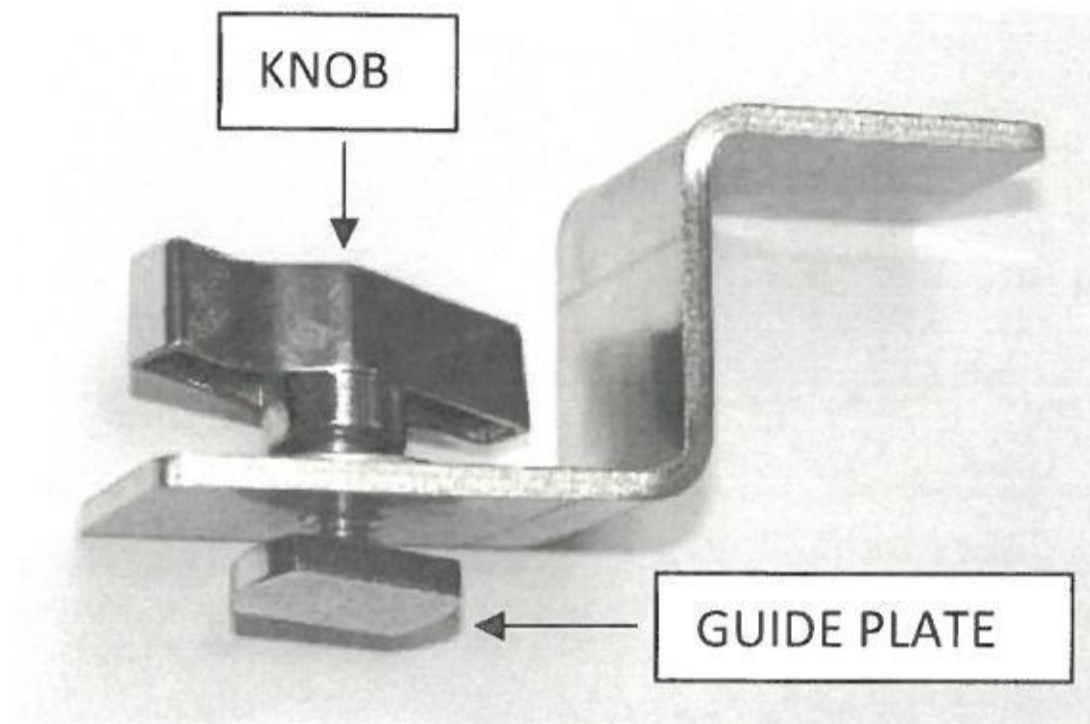
Place the connector between both legs and screw the bolt.



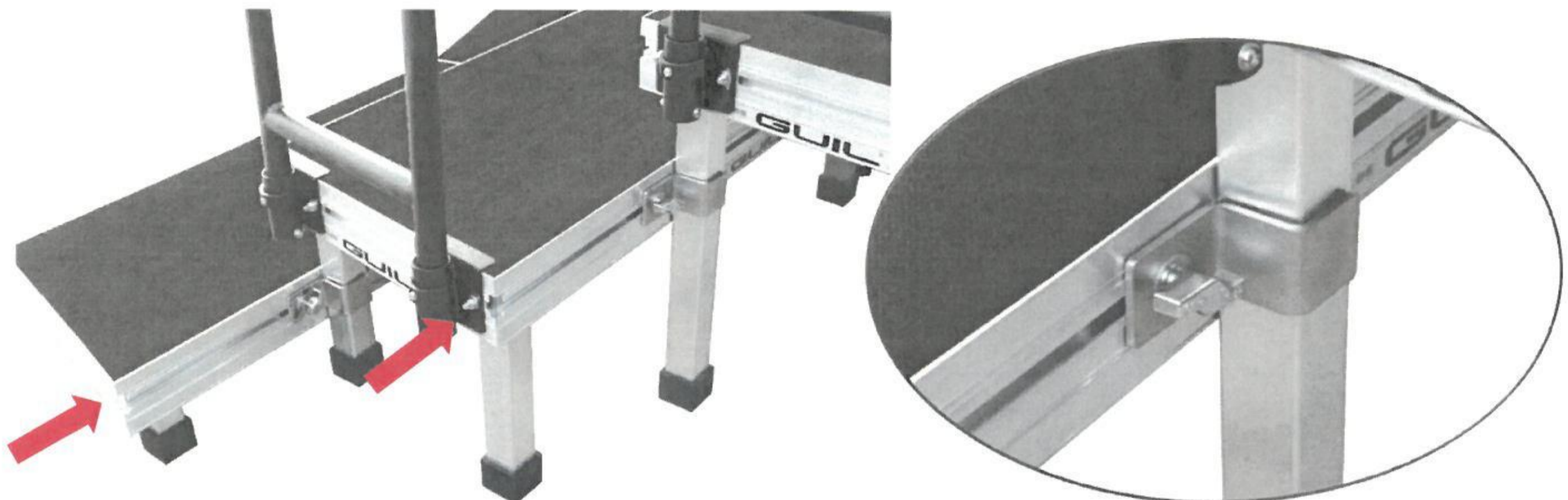
Connector for choral risers (ref. **TMU-12**).

Connector designed for assemblies between platforms with different heights when using a leg-to-leg clamp connector it's not possible.

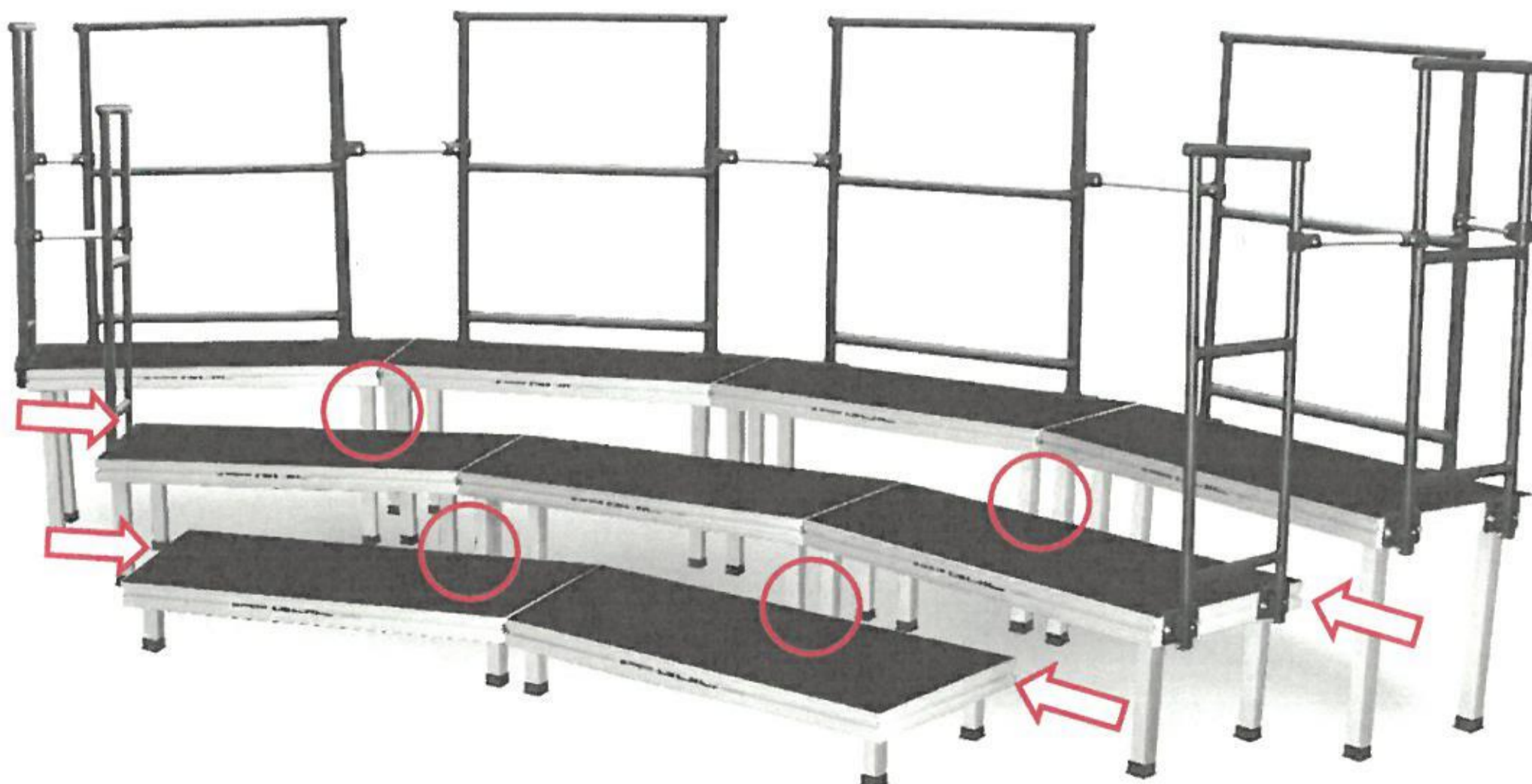
This is a frame to leg connector which works by inserting it through the frame guide of a platform and exerts pressure on the leg of the other platform to which it has to be attached.



To install these connectors, the guide plate is inserted through the frame of the lowest row platform until the **TMU-12** fits into the leg of the highest row platform. Once placed, the knob is tightened so that it is firmly secured.



In curved choral riser assemblies, 2 **TMU-12** are placed between each row, one at each end of the row.



When assembling straight choral risers or stages with platforms with different heights, more than 2 connectors between rows could be installed. In this case, the guide plates must be inserted through the frame of the platform where you want to place the **TMU-12** **before** assembling the row.

## STRENGTHENING BRACES

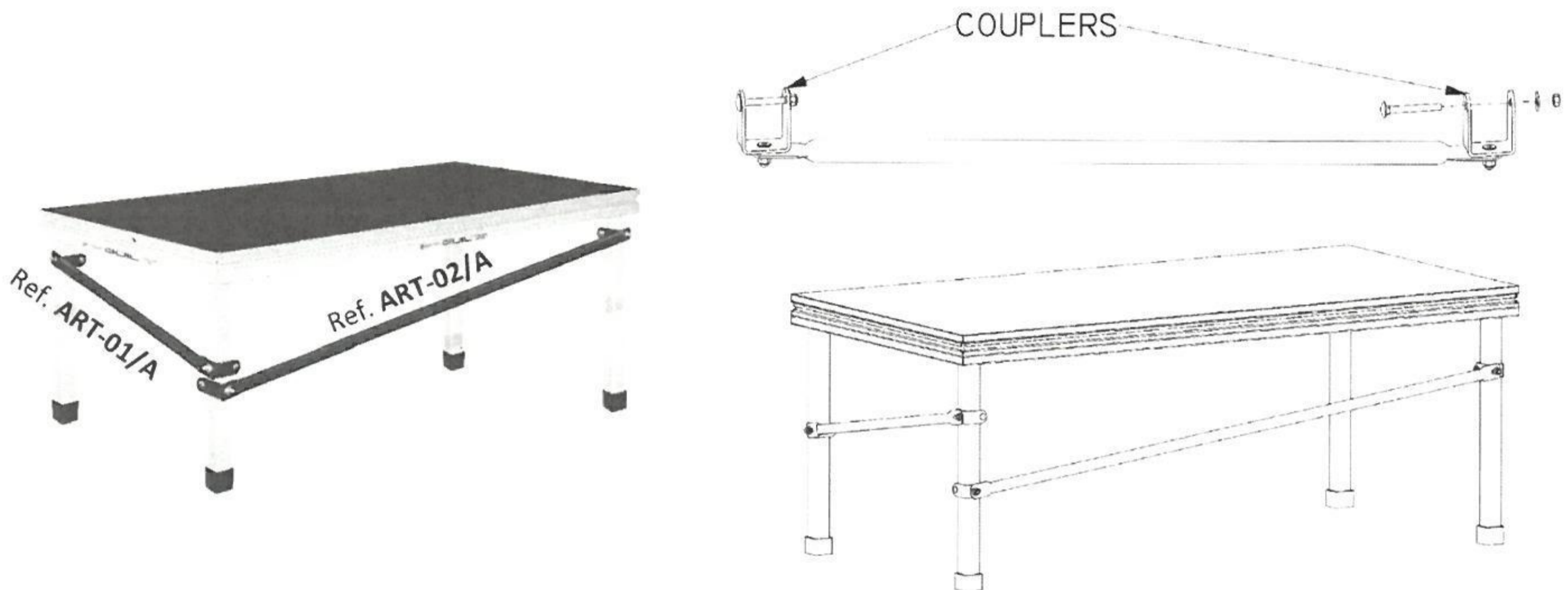
For certain set-ups of stages or tiered platforms that are above 100 cm high, strengthening braces are recommended for the exterior perimeter of the stage to reinforce the whole structure and guarantee full stability. For more information, consult the manufacturer.

Strengthening braces (ref. **ART-01/A** y **ART-02/A**).

1 and 2 metre long strengthening braces with couplers, to reinforce the platforms and give them greater stability.

- Composed of a rectangular steel profile and two 'U' shaped steel couplers.
- These can be used for both fixed height legs and telescopic legs.
- The couplers can be twisted so that they can be installed both horizontally and also diagonally.

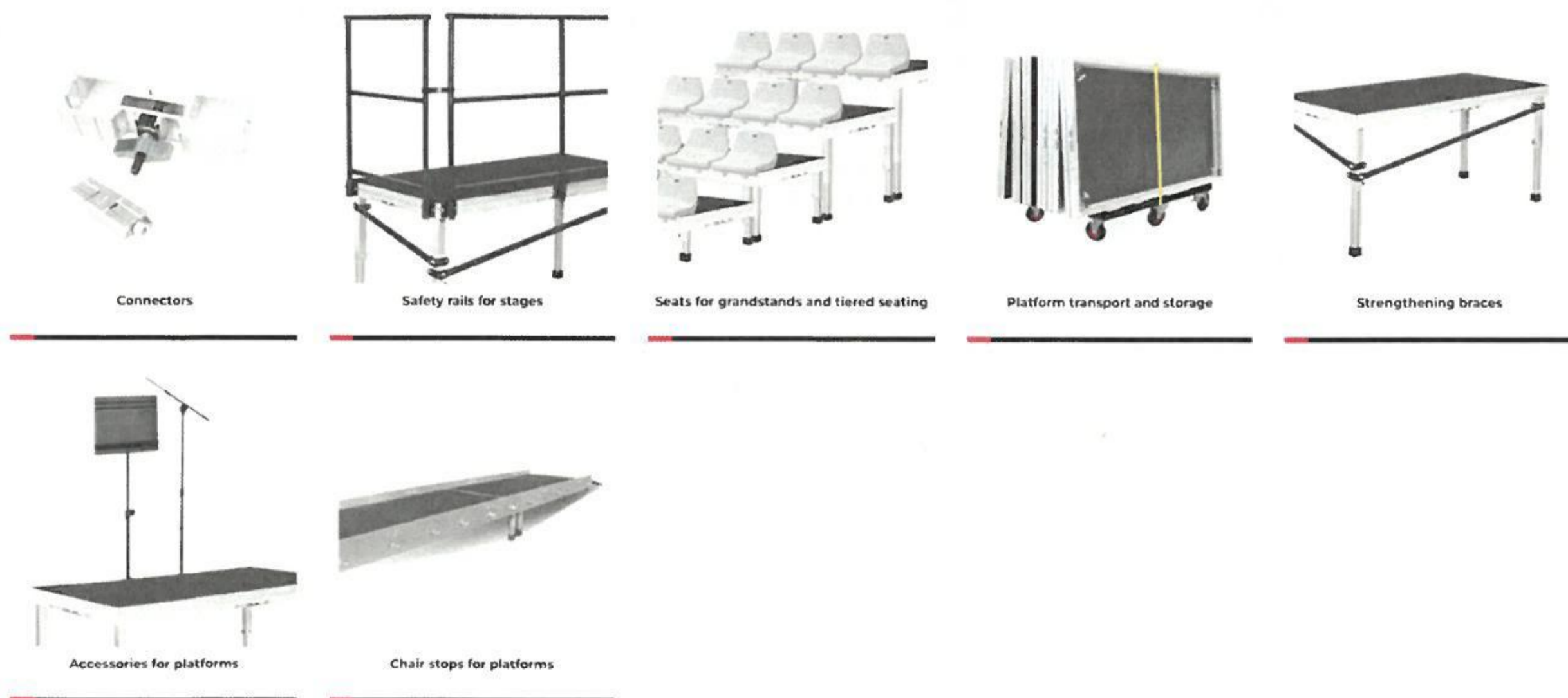
To install **ART/A** braces, unscrew the nuts on the bolts of the couplers, put the braces into the desired position and then replace the bolts and nuts as per the drawing below. To put the braces in a diagonal position the nuts on the back of the couplers must be repositioned by loosening them and moving the coupler along the sliding hole. Once in the required position and angle this nut must be tightened again.



## ACCESSORIES

Visit our website: <https://guil.es/en/category-products/platforms-stages-barriers/accessories-connectors-trolleys-ramps/>

### ACCESSORIES (CONNECTORS, TROLLEYS..)



## **AFTER EACH USE**

---

- Dismantle the structure following the set-up instructions in reverse.
- To prepare your stage decks for storage you must ensure they are completely dry as, even though GUIL platforms have various treatments to make them water resistant, they are made of wood which is a live material and can be affected by exposure to humidity or extreme temperatures.
- Store them in a dry place, away from extreme weather conditions.
- Ensure platforms are properly stacked to prevent them from damage.

## **MAINTENANCE**

---

- Keep the deck surfaces clean and dry. When necessary, clean with a broom or brush with soft bristles (non-metallic).
- Only use neutral cleaning materials. **NEVER** use abrasive products.
- Do not wax or polish the decks.
- Carry out a visual inspection and periodically check all the parts of the platform.
- Inspect all the frame for sharp or cutting edges.
- Check that the non-slip top surface is in good condition.
- Check all the screws on the platform and the accessories and tighten them if necessary.
- Inspect the connectors and corner sockets and make sure there are no missing parts and that they are in good working condition.
- Replace any worn, bent, or broken parts promptly to prevent injury.

## **TRANSPORT**

---

- Two people are required to transport and lift the platforms.
- Wear personal protective equipment, specifically for hands and feet, during set-up and transporting the platforms.
- Use the necessary equipment/means for transportation or handling.
- The dimensions of the transport vehicle must be appropriate for the size of the platforms.
- The vehicle must be stationary to prevent it from moving whilst loading the platforms.
- Ensure platforms are properly stacked and secured to prevent them from shifting during transport.
- Use proper lifting techniques to load the tower onto the vehicle.

## **DISPOSAL**

---

Once the platform reaches the end of its lifespan it must be correctly and responsibly disposed of.

The platform is composed of elements of aluminum, wood, steel and fibers. It does not contain any dangerous substances that require special measures for its elimination, so you must simply dispose of each element in the proper way.